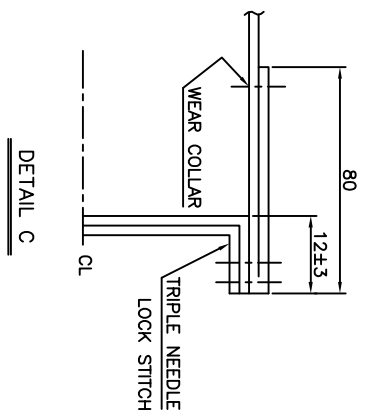
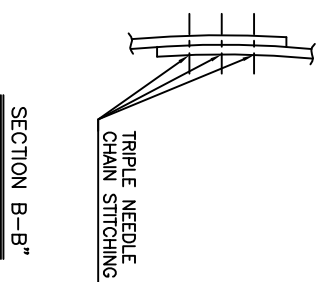
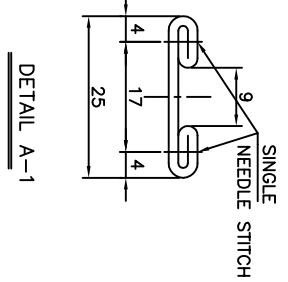
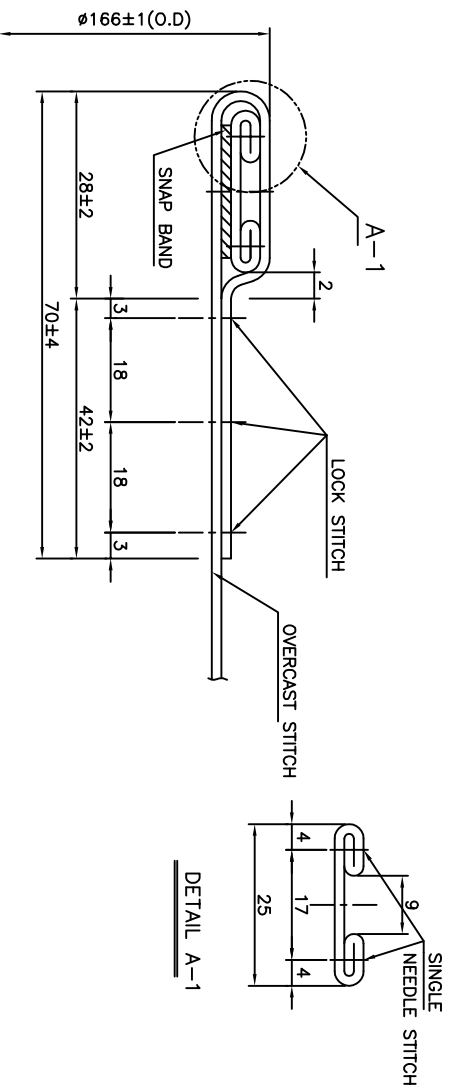
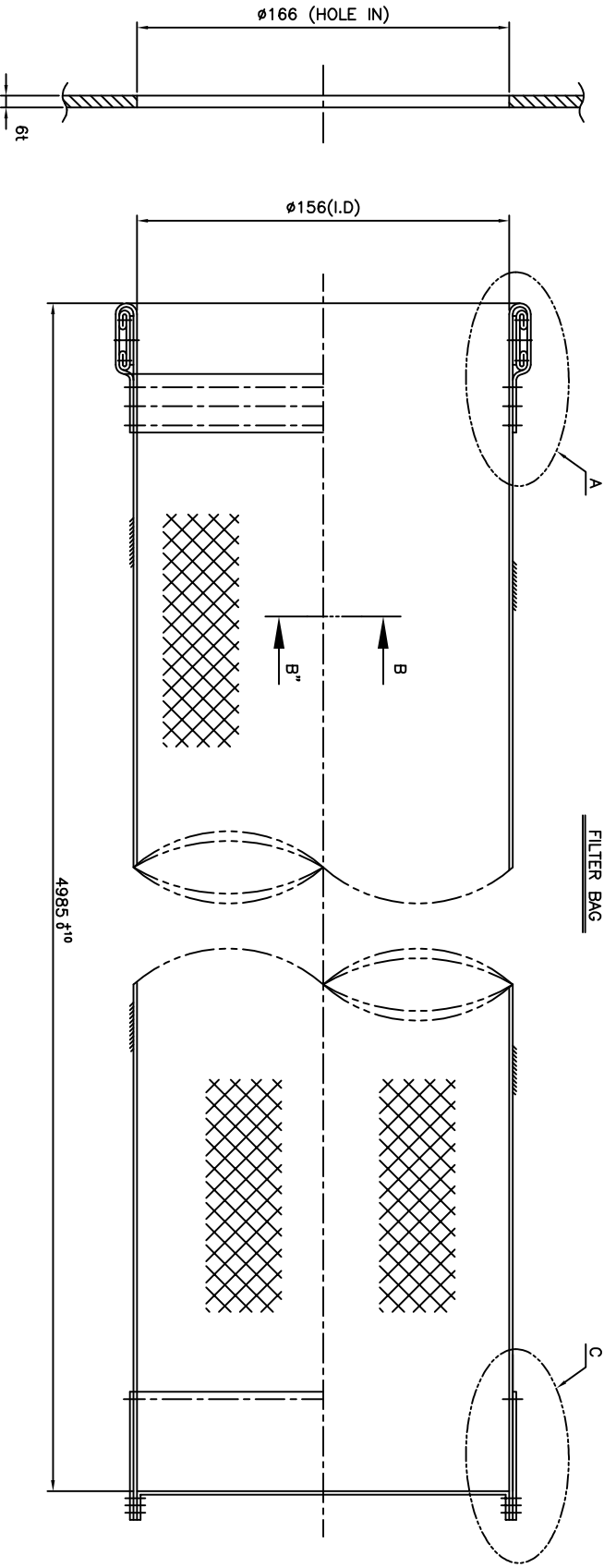


NO.	N A M E	QTY	MATERIAL	WEIGHT PER BAG	REMARKS
1	FILTER BAG		NOMEX	1.5kg	
2					
3					



SPECIFICATION	
MATERIAL	NOMEX
WEIGHT	550g/m <sup>2</sup>
SIZE	Ø156(I.D)X4985L
TEMP.	MAX 200 °C

Title		Spec No.		Customer		
BAG FILTER DRAWING						
Drawing No. FILTER - AFT - QN4985						
Supplier	Advanced Filter Technology Co., Ltd.	Index		Customer	A1	
REV.	DATE	REV. DESCRIPTION	DRAWN	CHECKED	REVIEWED	APPROVED
Δ	2020.03.04	FOR APPROVAL				
Issue Date		Designed by	Checked by	Approved by	Issue Date	Scale
						N/S
		Language	English			