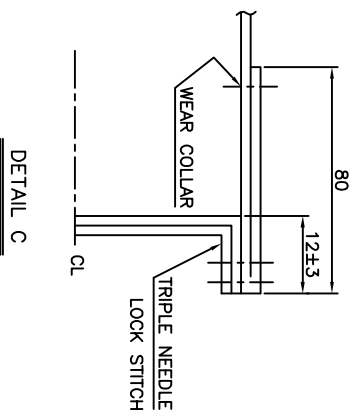
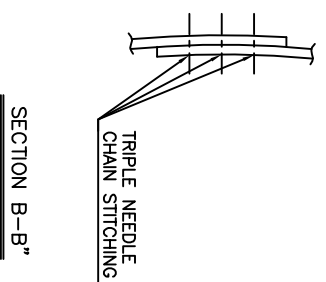
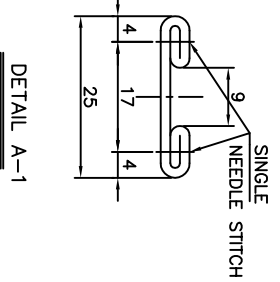
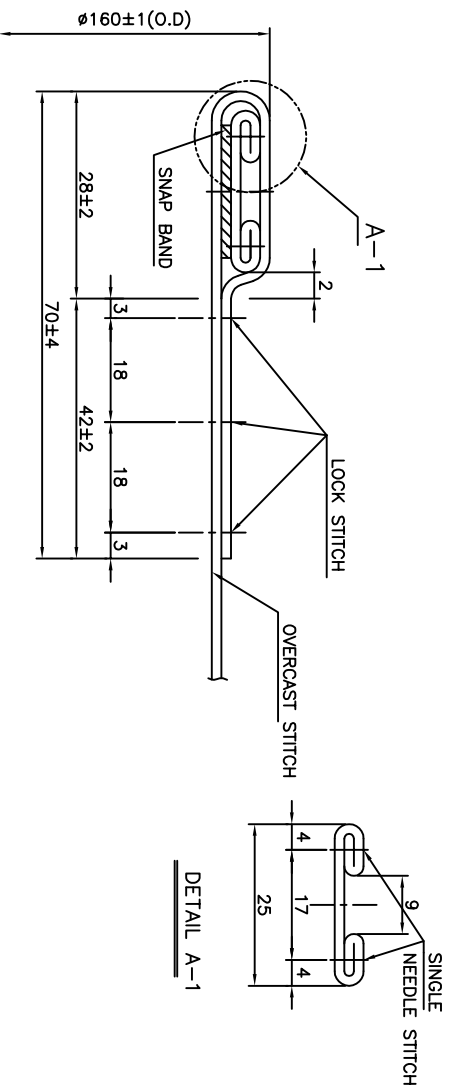
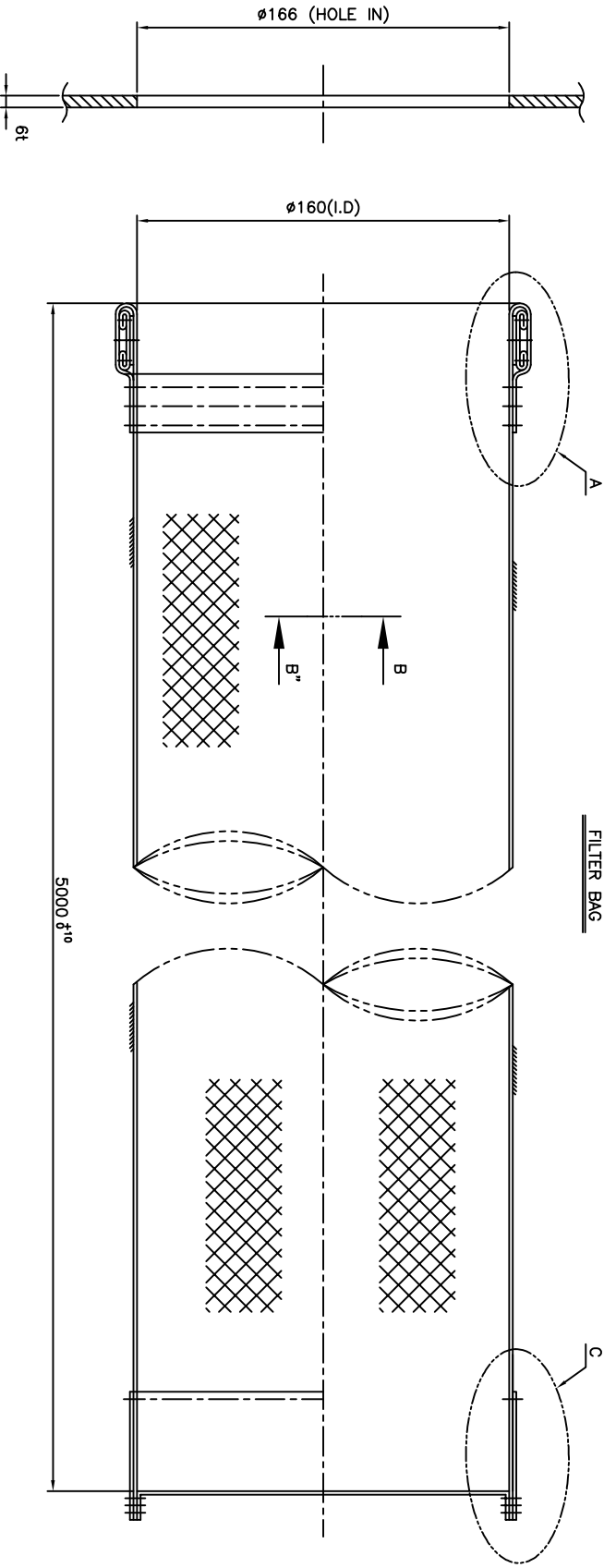


NO.	N A M E	QTY	MATERIAL	WEIGHT PER BAG	REMARKS
1	FILTER BAG		PTFE	2.2KG	
2					
3					



SPECIFICATION	
MATERIAL	100% PTFE (WHITE) + PTFE Coating
WEIGHT	750g/m ²
SIZE	$\phi 160$ (I.D.) x 5000L
TEMP.	MAX 260 °C

Title		Spec No.		Customer		
BAG FILTER DRAWING						
Drawing No. FILTER - AFT - Q15000						
Supplier	Advanced Filter Technology Co., Ltd.	Index		Customer	A1	
REV.	DATE	REV. DESCRIPTION	DRAWN	CHECKED	REVIEWED	APPROVED
Δ	2020.03.04	FOR APPROVAL				
Issue Date	Approved by	Drawn by	Checked by	Reviewed by	Approved by	
Unit	Scale	Unit	Scale	Unit	Scale	
mm	N/S	mm	N/S	mm	N/S	
Language	English	Language	English	Language	English	